

Bälz-electrodyn - control valve

Valve serie baelz 650

Checklist:

ND: 15, 25 - 50
 NP: 16 / 25 / 40
 body:
 NP 16 + 25: GJS-400-18-LT (GGG40.3)
 NP 40: GP240GH (GS-C25)
 temperatures:
 min.: -10°C
 max.: +240°C
 spindle Ø: 10 mm

Text for quotations + orders:

Blow down and deconcentration valve

baelz 650 NP 16 / 25

without actuator; in at AB, out at A

Kvso = 0.004%

body material : GJS-400-18-LT - JS1025 (GGG40.3)

internal parts :stainless steel
 plug and seat hardened

stuffing box : V-rings in PTFE

NP 16 max. : 240°C/11 bar - 120°C/16 bar

stroke ND 15 – 25: 17 mm

ND 32 – 50: 22 mm

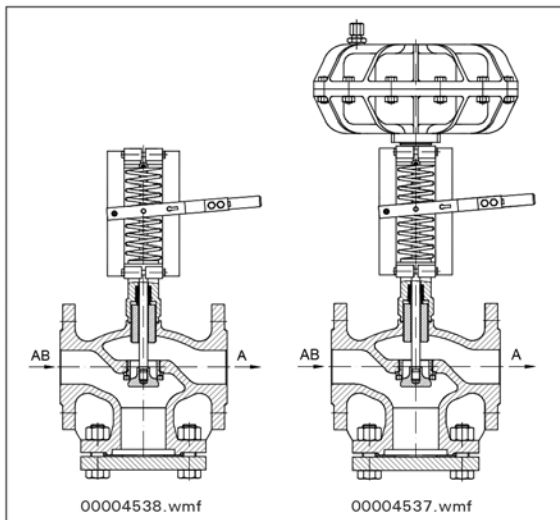
flow :

pressure drop

Δp_{100} : bar

max. closing pressure

Δp_0 : bar



ND	15	25	32	40	50
Kvs	5,6	9	16	25	36

Fig. 1

baelz 650
with 373-HL21

baelz 650
with 373-P21-HL21



Fig. 2

baelz 650-373-HL21 as
manual blow down valve



Fig. 3

baelz 650-373-P21-HL21 pneumatic blow down valve
with manual override

Max. differential pressure

plug closes in direction of the flow sens, normally closed (OPG)

type	spring force N	control air pressure bar	ND Δp_{max} bar				
			15	25	32	40	50
baelz 373-P21-3	1020	1,2	40	40	30	20	20